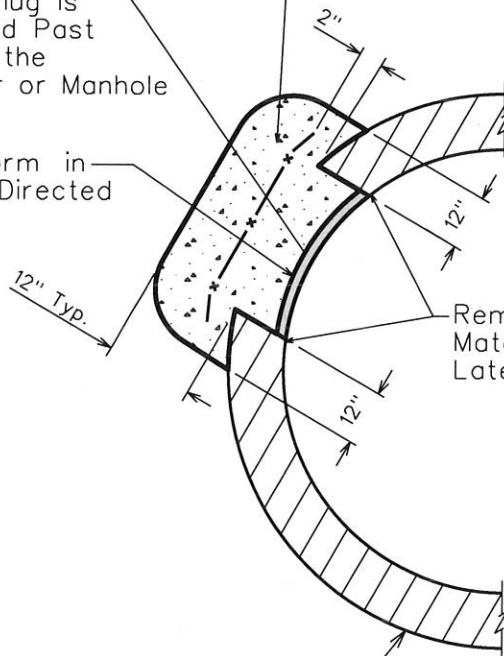


No Part of Proposed Cement Concrete Plug is Permitted to Extend Past the Inside Face of the Existing Pipe, Sewer or Manhole

Anchor Form in Place as Directed

Approved Non-shrink 4000 PSI Cement Concrete Plug



Remove Damaged Brick or Loose Material/Brick and/or Lateral Pipe as Directed

Ex. Pipe Sewer

R E V I S I O N S	
1.	MAC 3-2-04
2.	LRC 1-31-14

Approved by:

PWSA
 THE PITTSBURGH WATER & SEWER AUTHORITY
 Quality Water Quality Service
 Engineering & Construction Division

Pittsburgh Water and Sewer Authority
**Cement Concrete Plug
 For Brick Sewer/ Manhole**

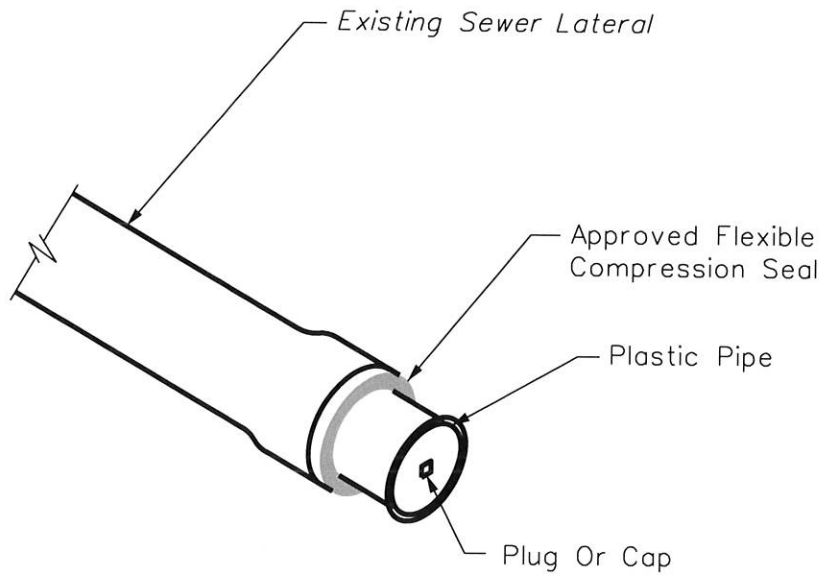
Scale: N.T.S.

Supplemental
 Detail Drawing:

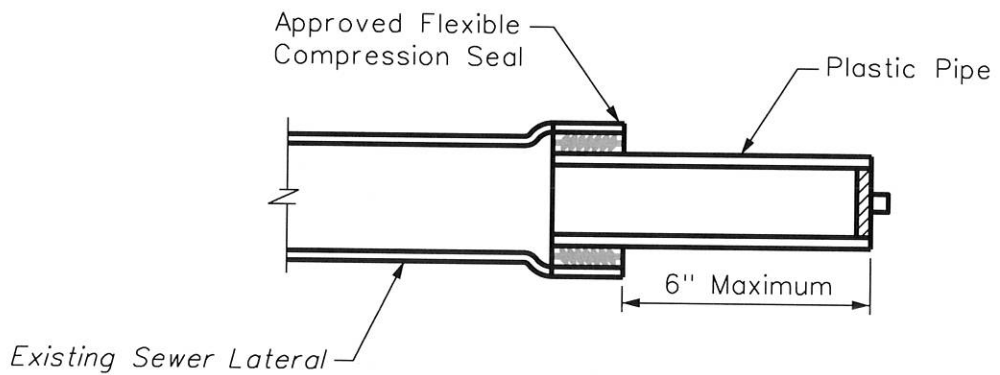
SC-CP

2/24/2014

M:\pwsa\gis\det\Standards\stdsccp.det



PIPE SEWER END DETAIL w/COMPRESSION JOINT SEALER



PIPE SEWER END SECTION

2/24/2014

R E V I S I O N S	
1. MAC 3-13-03	
2. LRC 1-31-14	

Approved by:

PWSA
 THE PITTSBURGH WATER & SEWER AUTHORITY
 Quality Water Quality Service
 Engineering & Construction Division

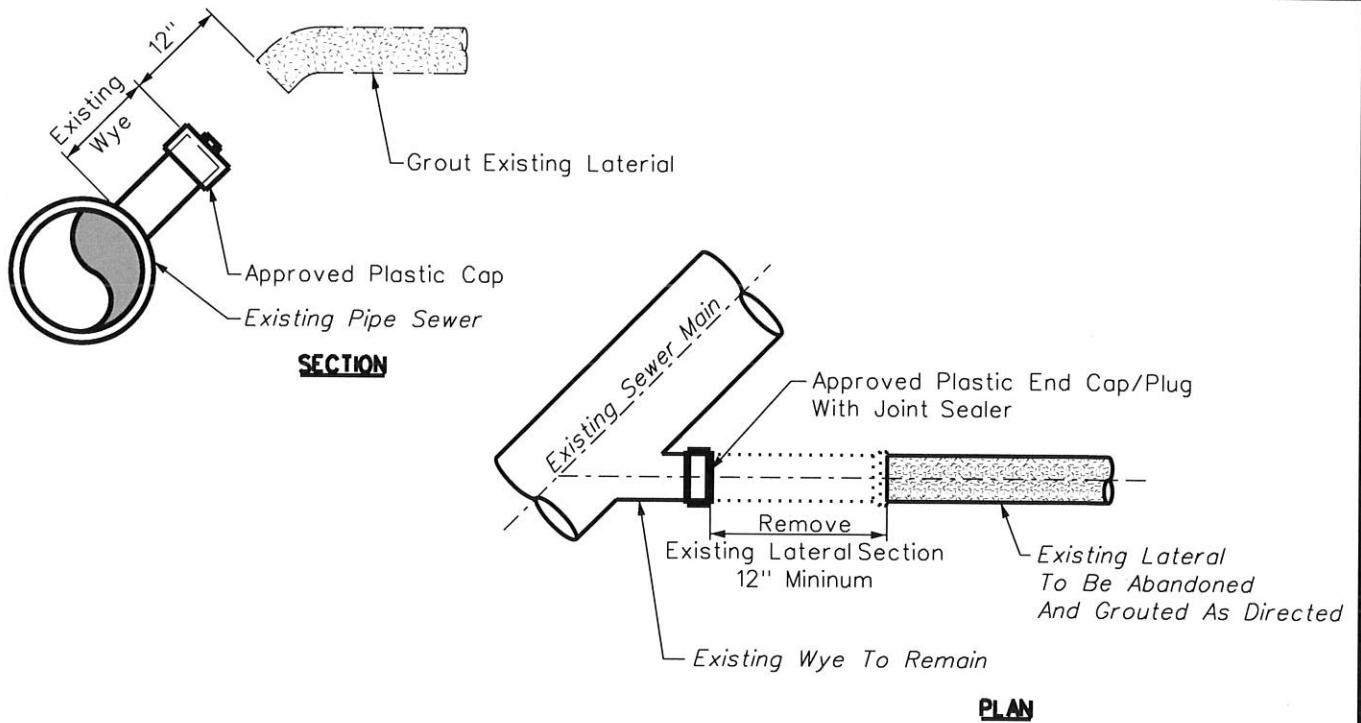
Pittsburgh Water and Sewer Authority
**Plastic Pipe Sewer End Cap
 Compression Joint Sealer**

Scale: N.T.S.

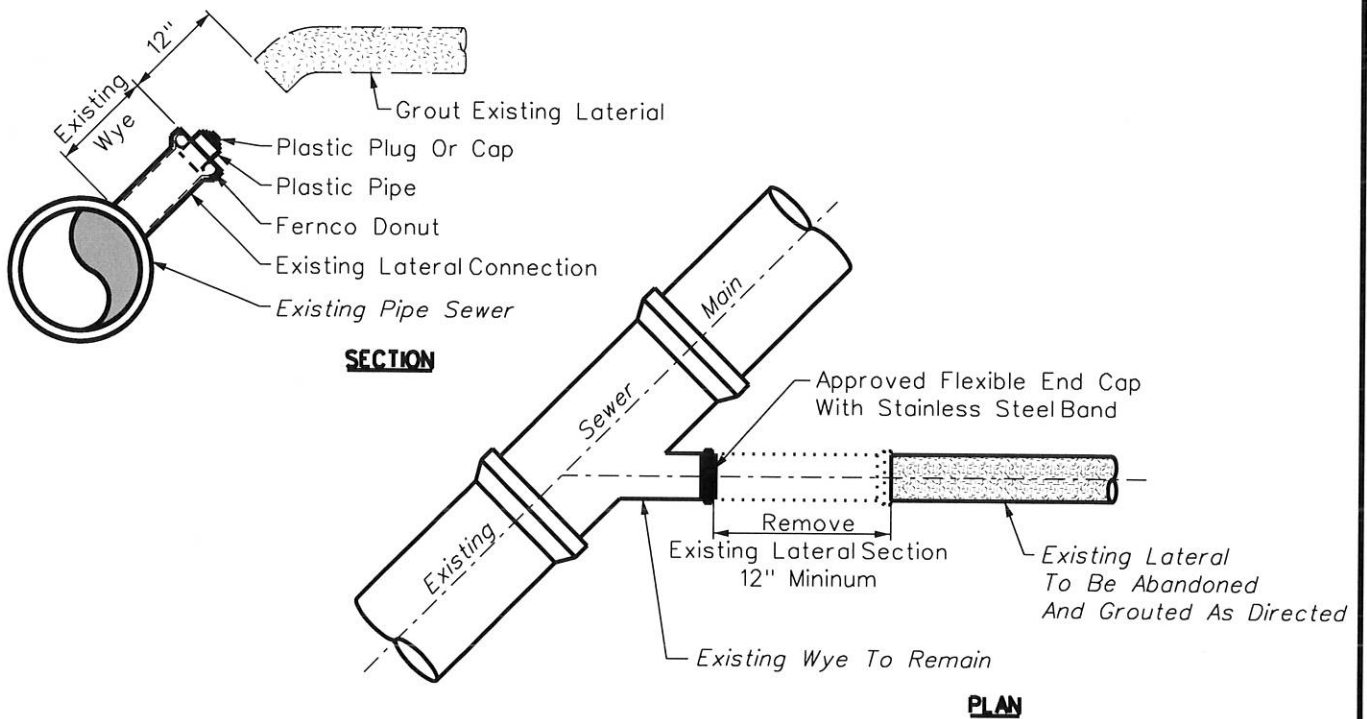
M:\pwsa\gis\det\Standards\stdslt2.det

Supplemental
 Detail Drawing:

SLT2



APPROVED PLASTIC CAP/PLUG DETAIL



APPROVED FLEXIBLE COMPRESSION CAP DETAIL

R E V I S I O N S	
1. MAC 3-13-03	
2. LRC 1-31-14	

Approved by:

PWSA
 THE PITTSBURGH WATER & SEWER AUTHORITY
 Quality Water Quality Service
 Engineering & Construction Division

Pittsburgh Water and Sewer Authority
**Termination House Lateral
 Wye Connection To Main**

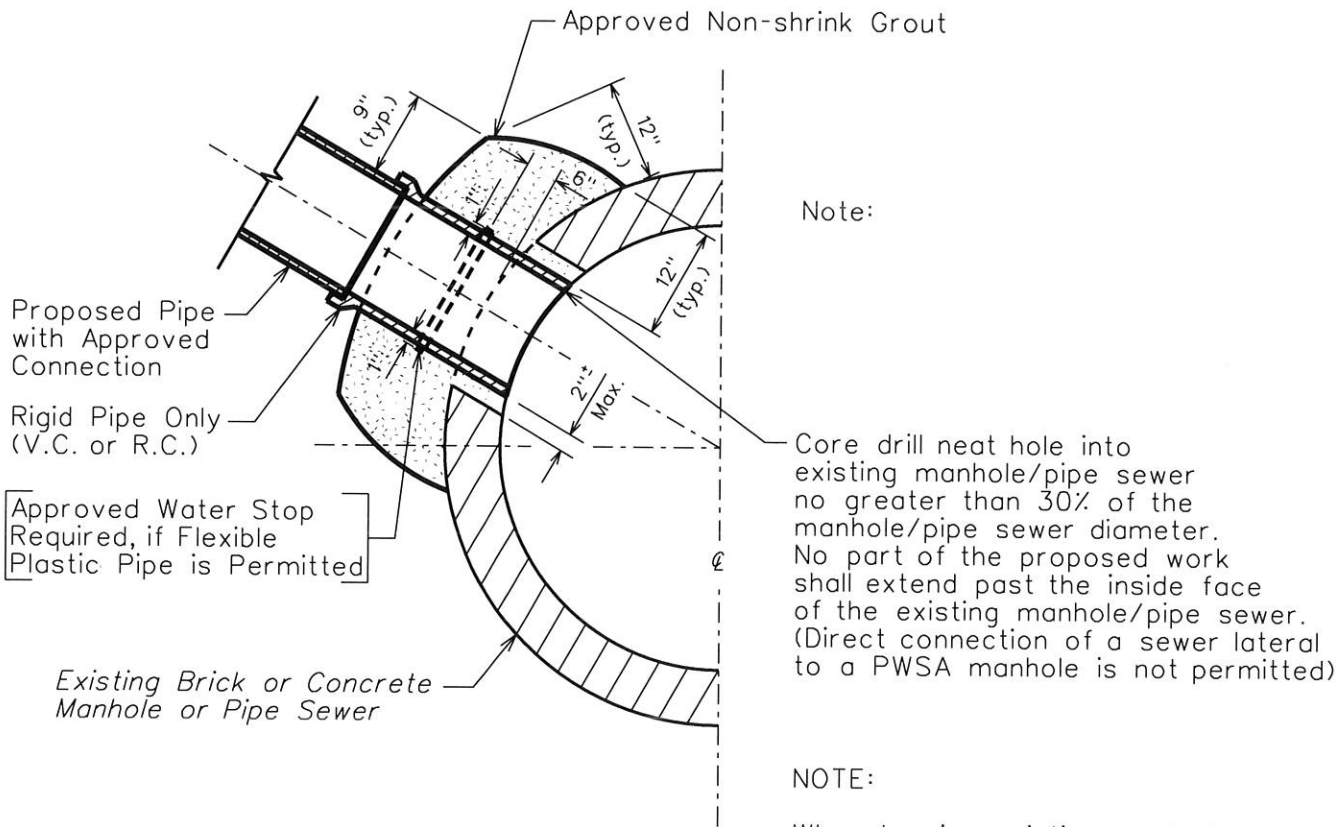
Scale: N.T.S.

M:\pwsa\gis\det\Standards\stdsl3.det

Supplemental
 Detail Drawing:

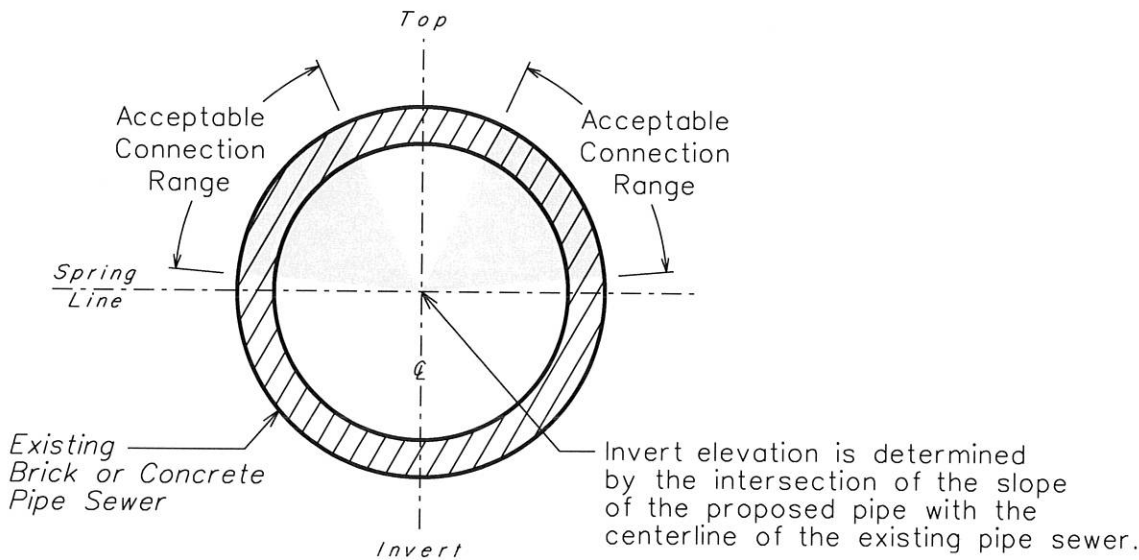
SLT3

2/24/2014



Note:
 Core drill neat hole into existing manhole/pipe sewer no greater than 30% of the manhole/pipe sewer diameter. No part of the proposed work shall extend past the inside face of the existing manhole/pipe sewer. (Direct connection of a sewer lateral to a PWSA manhole is not permitted)

NOTE:
 When tapping existing manholes, caution should be taken not to impact manhole steps.



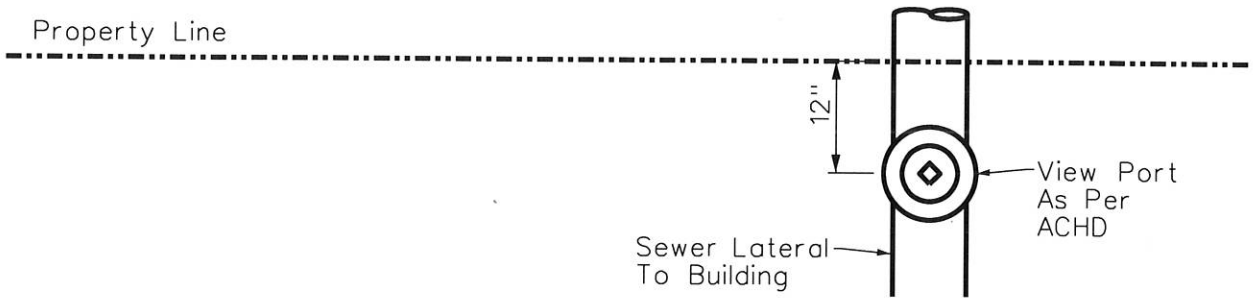
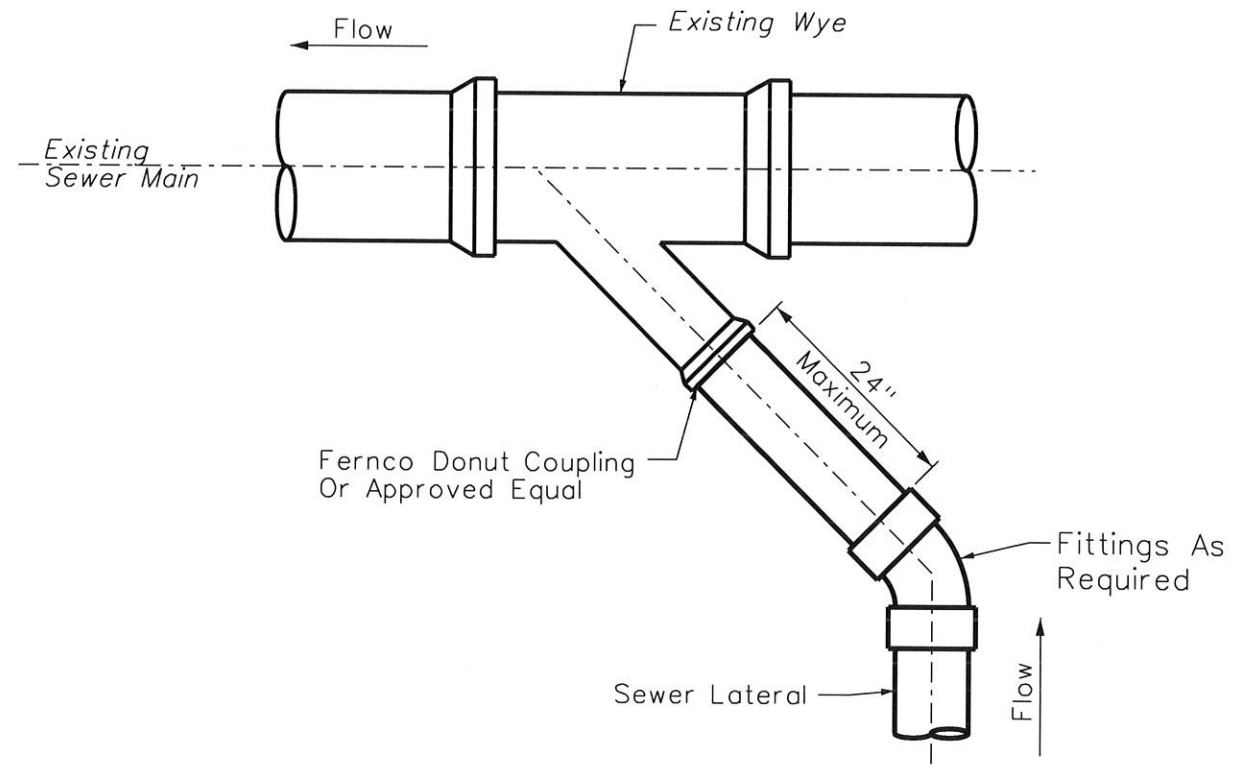
2/24/2014

R E V I S I O N S	
1.	MSR 4-18-01
2.	DWP 9-15-05
3.	MAC 11-3-08
4.	LRC 1-31-14

Approved by:

PWSA
 THE PITTSBURGH WATER & SEWER AUTHORITY
 Quality Water Quality Service
 Engineering & Construction Division

Pittsburgh Water and Sewer Authority
Manhole / Pipe Sewer Cored Wye Connection
 Scale: N.T.S.
 Supplemental Detail Drawing: **SSC-1**
 M:\pwsa\gis\det\Standards\stdsscl.det



PLAN VIEW

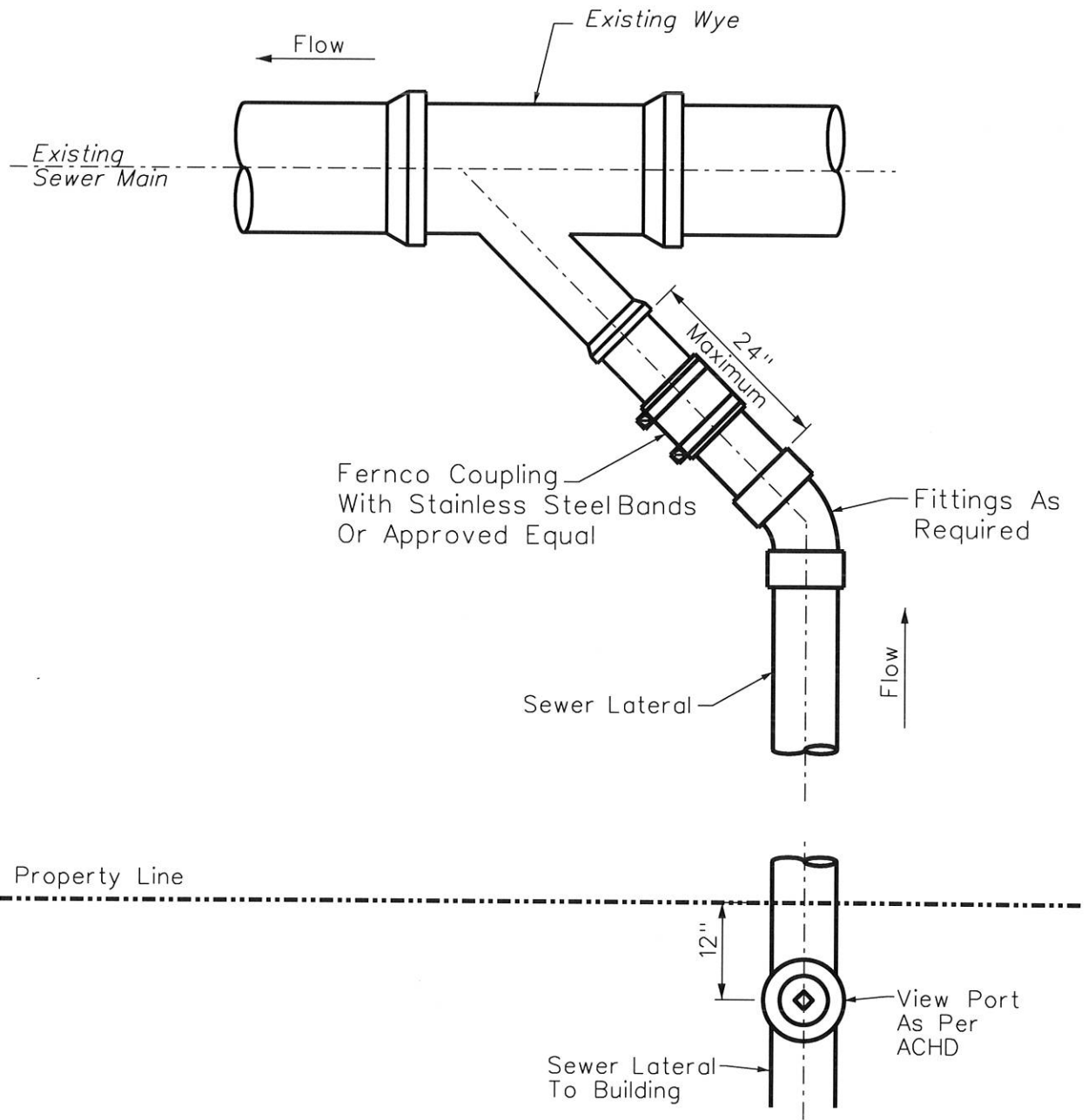
2/24/2014

R E V I S I O N S	
1. MSR 4-18-01	
2. LRC 1-31-14	

Approved by:

PWSA
 THE PITTSBURGH WATER & SEWER AUTHORITY
 Quality Water Quality Service
 Engineering & Construction Division

Pittsburgh Water and Sewer Authority
Sewer Tap To Existing Sewer Wye
 Scale: N.T.S.
 Supplemental Detail Drawing: **ST-1**



PLAN VIEW

R E V I S I O N S	
1.	MSR 4-18-01
2.	LRC 1-31-14

Approved by:

PWSA
 THE PITTSBURGH WATER & SEWER AUTHORITY
 Quality Water Quality Service
 Engineering & Construction Division

Pittsburgh Water and Sewer Authority
Sewer Tap To Existing Sewer Wye

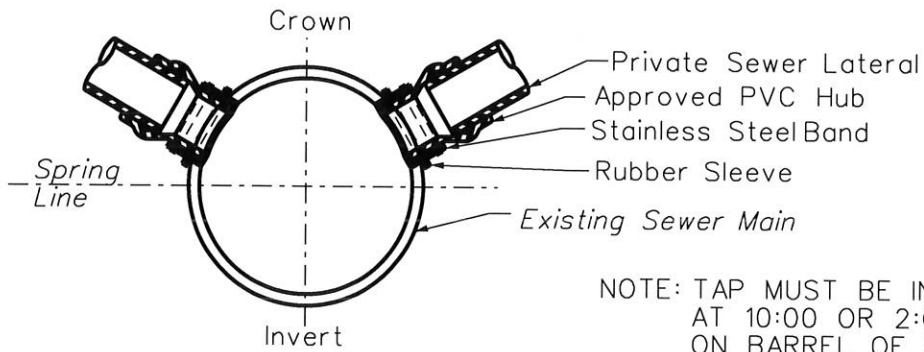
Scale: N.T.S.

Supplemental
 Detail Drawing:

ST-2

2/24/2014

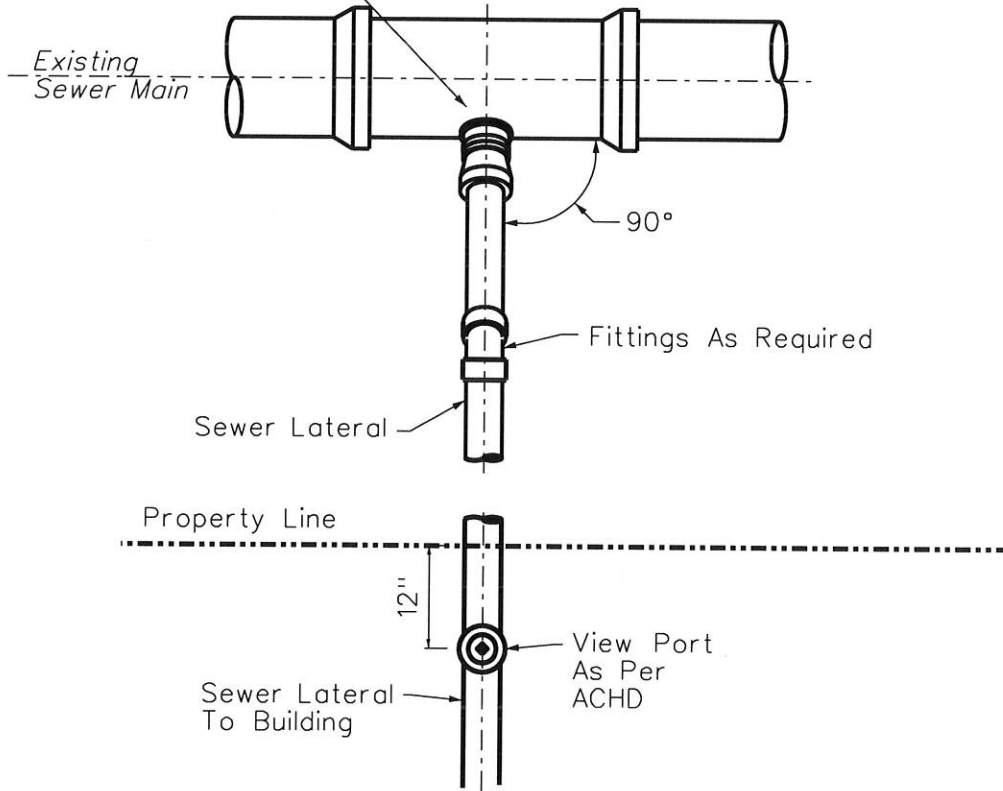
M:\pwsa\gis\det\Standards\stdst2.det



NOTE: TAP MUST BE INSTALLED AT 10:00 OR 2:00 O'CLOCK ON BARREL OF SEWER MAIN.

INSERTA TEE CONNECTION DETAIL
OR APPROVED EQUAL

APPROVED INSERTA TEE CONNECTIONS WITH PVC HUB, RUBBER GASKET, AND STAINLESS STEEL BAND OR APPROVED EQUAL. CORE DRILL NEAT HOLE INTO EXISTING PIPE SEWER; NO GREATER THAN 25% OF EXISTING PIPE SEWER DIAMETER PERMITTED.



PLAN VIEW

2/24/2014

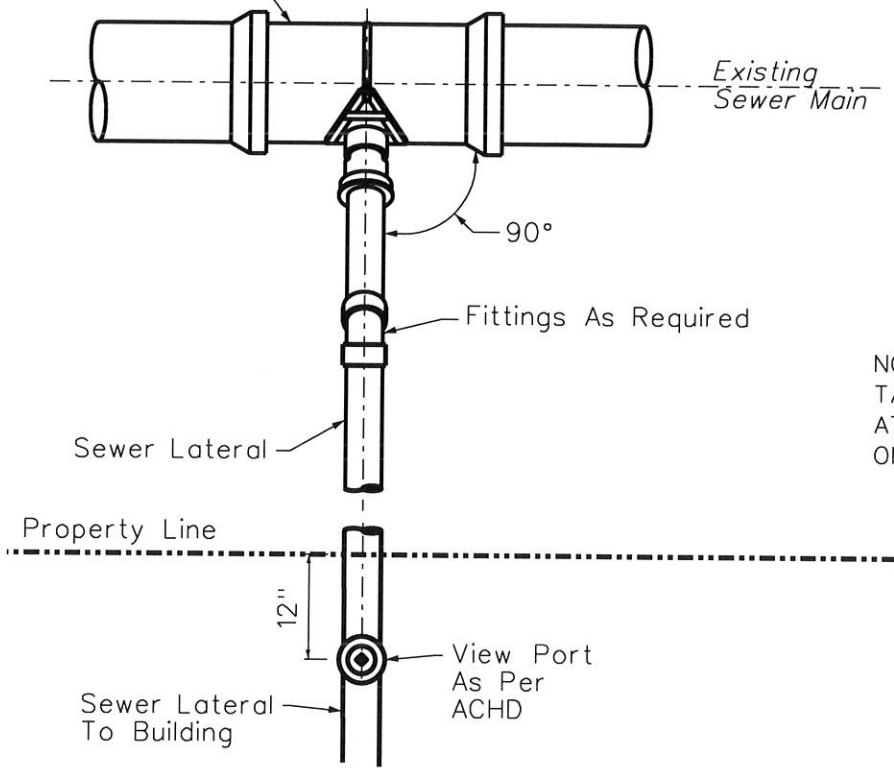
R E V I S I O N S	
1.	MSR 4-18-01
2.	LRC 1-31-14

Approved by: _____

PWSA
 THE PITTSBURGH WATER & SEWER AUTHORITY
 Quality Water Quality Service
 Engineering & Construction Division

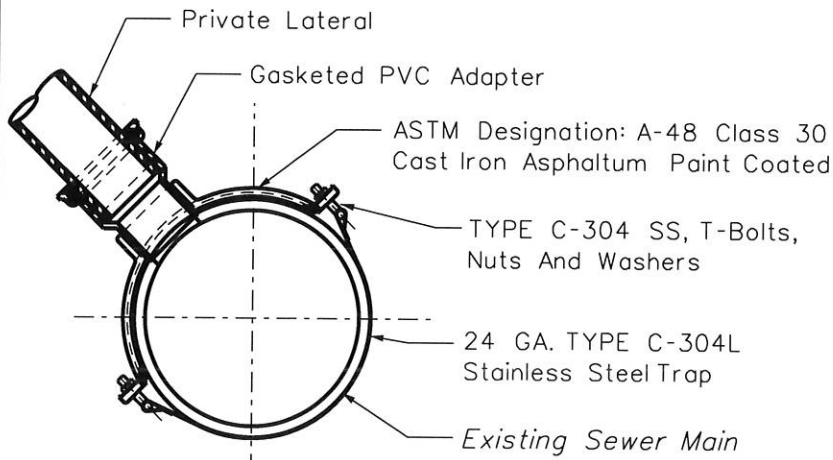
Pittsburgh Water and Sewer Authority
Sewer Tap Tee Connection To Existing Sewer Main
 Scale: N.T.S.
 Supplemental Detail Drawing: **ST-3**
 M:\pwsa\gis\det\Standards\stdst3.det

APPROVED SADDLE CONNECTIONS GENECO SEALTITE CAST IRON SADDLE WITH O-RING AND STAINLESS STEEL STRAP, OR FERNCO EZ TAP SEWER SADDLE. CORE DRILL NEAT HOLE INTO EXISTING PIPE SEWER; NO GREATER THAN 25% OF EXISTING PIPE SEWER DIAMETER PERMITTED.



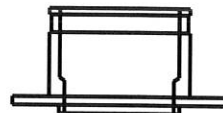
NOTE:
TAP MUST BE INSTALLED
AT 10:00 OR 2:00 O'CLOCK
ON BARREL OF SEWER MAIN.

PLAN VIEW



**SEALTITE SEWER PIPE SADDLE
OR APPROVED EQUAL
ALT. #1**

SECTION VIEW



**FERNCO EZ TAP SEWER PIPE SADDLE
OR APPROVED EQUAL
ALT. #2**

2/24/2014

R E V I S I O N S	
1. MSR 4-18-01	
2. MAC 3-2-05	
3. LRC 1-31-14	

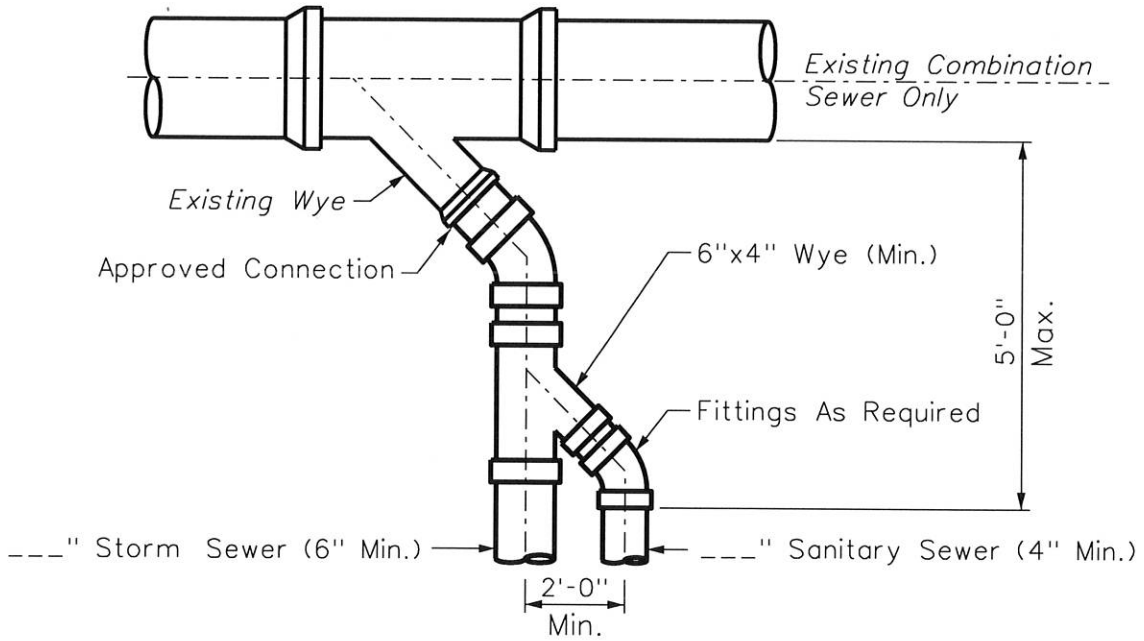
Approved by:

PWSA
THE PITTSBURGH WATER & SEWER AUTHORITY
Quality Water & Quality Service
Engineering & Construction Division

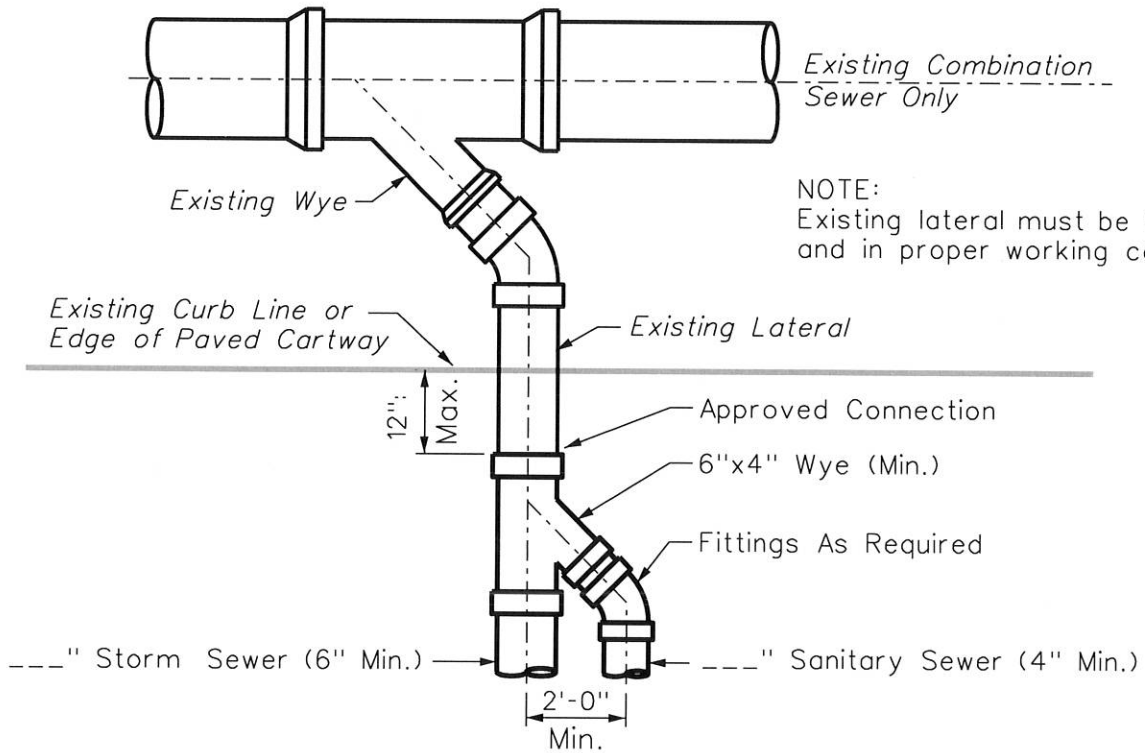
Pittsburgh Water and Sewer Authority
**Sewer Tap Saddle Connection
To Existing Sewer Main**

Scale: N.T.S. Supplemental Detail Drawing: **ST-4**

M:\pwsa\gis\det\Standards\stdst4.det



**NEW CONSTRUCTION
PLAN VIEW DETAIL**



NOTE:
Existing lateral must be inspected
and in proper working condition.

**MODIFICATION TO EXISTING STRUCTURE OR FACILITY
PLAN VIEW DETAIL**

R E V I S I O N S	
1.	MSR 4-18-01
2.	DWP 12-16-04
3.	LRC 1-31-14

Approved by:

PWSA
THE PITTSBURGH WATER & SEWER AUTHORITY
Quality Water Quality Service
Engineering & Construction Division

Pittsburgh Water and Sewer Authority
**Separated House Lateral
One Connection To Main**

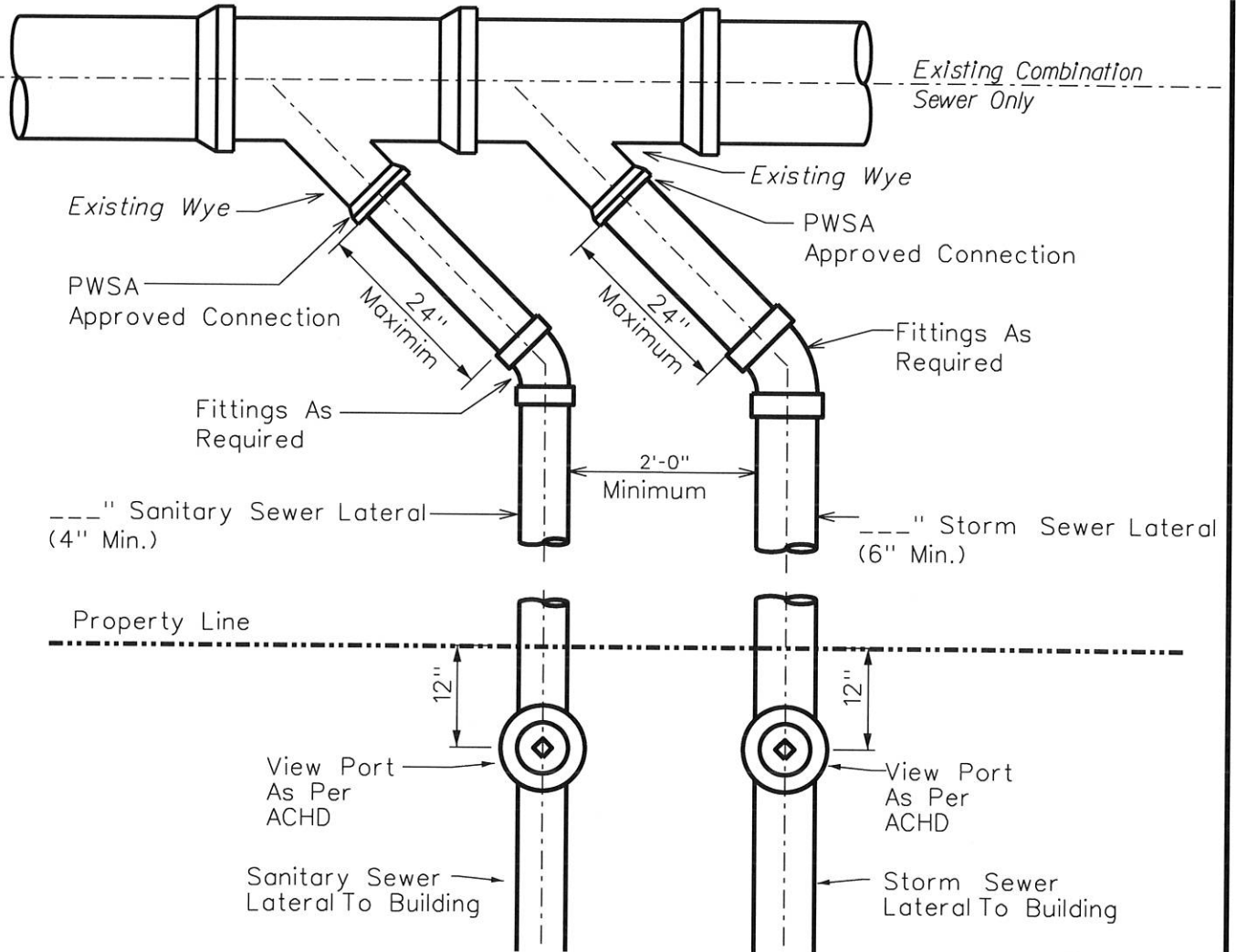
Scale: N.T.S.

Supplemental
Detail Drawing:

ST-5

2/24/2014

M:\pwsa\gis\det\Standards\stdst5.det



PLAN VIEW

R E V I S I O N S	
1. MSR	4-18-01
2. LRC	1-31-14

Approved by:

PWSA
 THE PITTSBURGH WATER & SEWER AUTHORITY
 Quality Water Quality Service
 Engineering & Construction Division

Pittsburgh Water and Sewer Authority
**Separated House Lateral
 Wye Connections To Main**

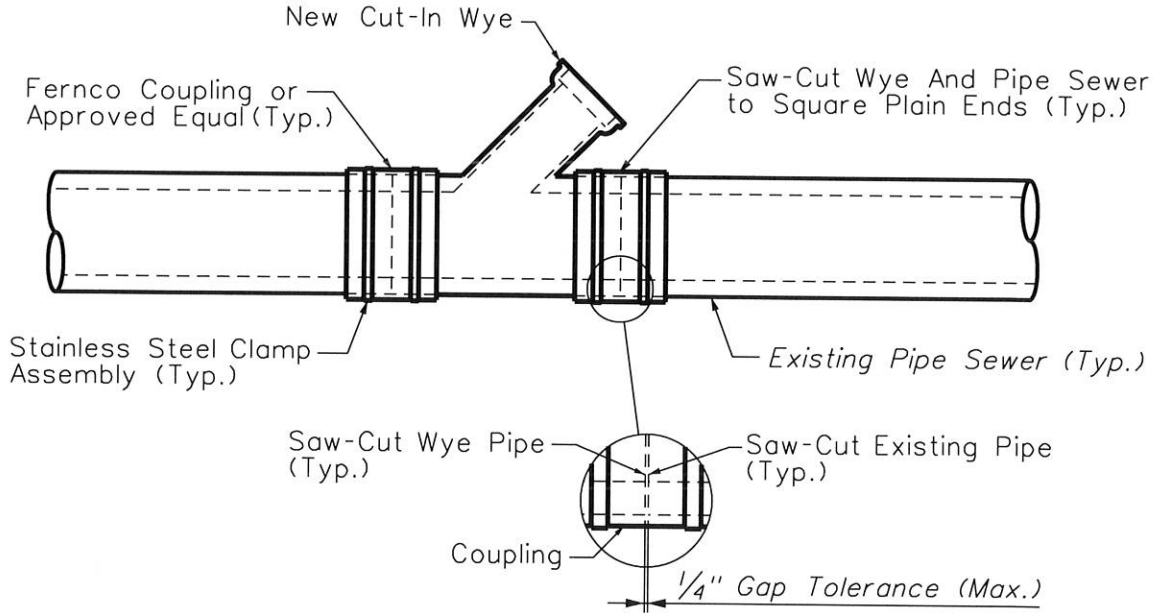
Scale: N.T.S.

Supplemental
 Detail Drawing:

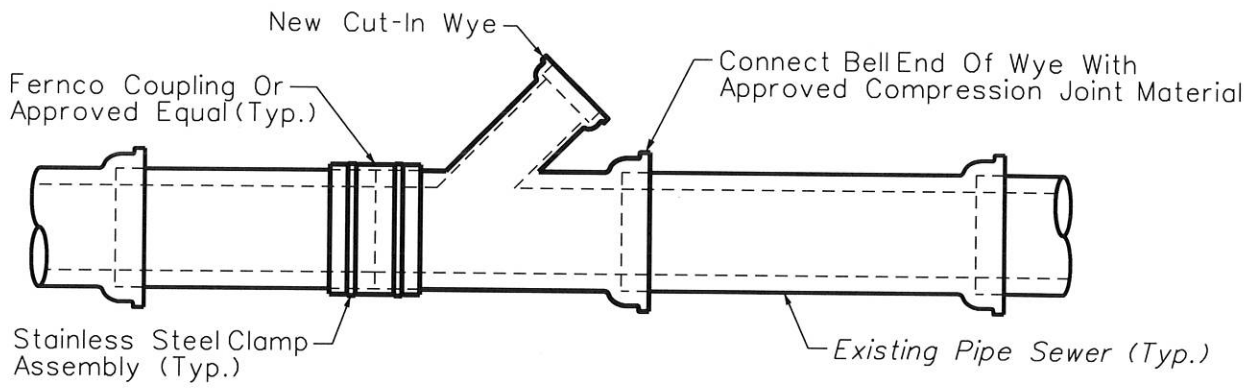
ST-6

2/24/2014

M:\pwsa\gis\det\Standards\stdst6.det



ALT. No.1



ALT. No.2

NOTES:

1. SAW-CUT EXISTING PIPE SEWER, NO BREAK-IN OR HAMMER CONNECTIONS PERMITTED. JOINTS MUST BE INSPECTED BY PWSA BEFORE AND AFTER FLEXIBLE COUPLINGS ARE INSTALLED.
2. WYE MATERIAL WILL MATCH SEWER MAIN MATERIAL.
3. PIPE MAIN I.D. OF NEW WYE SECTION WILL MATCH I.D. OF EXISTING PIPE SEWER MAIN.
4. WYE LOCATION WILL BE LOCATED AT 2 O'CLOCK OR 10 O'CLOCK ON BARREL OF PIPE SEWER.

2/24/2014

R E V I S I O N S	
1. JLK 8-14-02	
2. MAC 1-5-04	
3. LRC 1-31-14	

Approved by: _____

PWSA
 THE PITTSBURGH WATER & SEWER AUTHORITY
 Quality Water Quality Service
 Engineering & Construction Division

Pittsburgh Water and Sewer Authority
Cut-In Wye Pipe Transition

Scale: N.T.S. Supplemental Detail Drawing: **ST-7**

M:\pwsa\gis\det\Standards\stdst7.det