



iPERL Smart Water Meter

Electromagnetic Flow Measurement System

Sensus iPERL® smart water meters are designed to capture both lost water and lost revenue. The innovative magnetic technology delivers unmatched low flow registration and minimal pressure loss. With no moving parts, iPERL maintains its accuracy over a 20 year lifetime and is equipped with smart water alarms – delivering the intelligence you need to quickly resolve issues in the field.

CAPABILITIES

- The iPERL meter has an operating range of 0.11 gpm (0.025 m³/hr) to 55 gpm (12.5 m³/hr)—it even starts to register flow as low as 0.03 gpm (0.007 m³/hr).
- Sizes include: 5/8" (DN 15 mm), 3/4" (DN 20 mm) and 1" (DN 25 mm)
- iPERL can be installed horizontally, vertically or diagonally.

BENEFITS

- Maximize investment with iPERL's magnetic technology, which delivers a 20-year accuracy warranty, with no repairs
- Get smart water alarms to detect issues such as leaks, reverse flow, empty pipe, etc.
- Improve low flow accuracy to drive additional revenue

Industry Leading Performance

The patented measurement technology of the iPERL water meter provides enhanced accuracy at both low and high flows. Over a 20-year lifespan, your iPERL will measure just as accurately as the day it was installed.

Solid State Magnetic Technology

By avoiding the use of a mechanical measuring element inside the flow tube, metering performance is linear over the entire flow range – ensuring no reduction in accuracy at any flow rate over the life of the meter. The iPERL meter uses our patented remanent magnetic field technology – requiring far less energy and delivering superior accuracy.

Alarms

Quick resolution of field issues is made possible with configurable smart water alarms including leak detection, reverse flow, empty pipe, magnetic tamper and low battery. When integrated with our FlexNet® communication network, remotely gathering and transmitting data has never been more reliable or profitable.

Construction

The iPERL meter body is made of composite alloy and contains no metal material. Inside the meter body is an electronic register and a measuring device that is comprised of a composite alloy flow tube. Embedded in the flow tube are coated silver electrodes. iPERL utilizes these to measure the fluid velocity through the flow tube – enabling less power consumption and predictable meter performance. The iPERL meter has a 20-year accuracy warranty and a 20-year battery life guarantee.



iPERL Smart Water Meter

Electronic Register

The 9-digit hermetically-sealed electronic register with LCD display was designed to eliminate dirt, fog and moisture contamination in pit settings. The large, easy-to-read display includes AMR digits, direction of flow, units of measure and smart water alarms. The AMR digits and units of measure are fully programmable. The register also provides integrated customer data logging.

AMI / AMR Compatibility

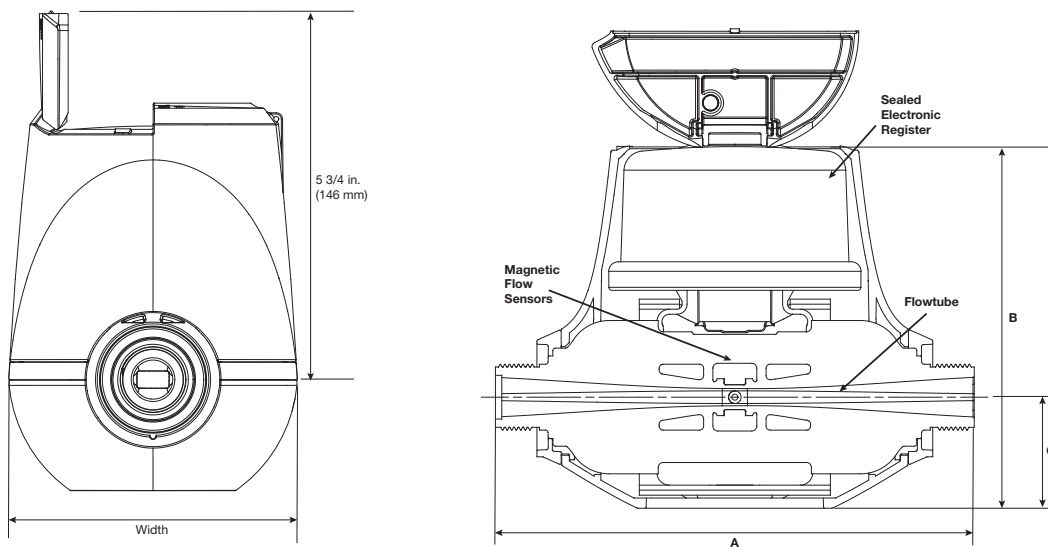
Sensus iPERL meters are compatible with common AMR/AMI systems, including the Sensus FlexNet® communication network.

Conformance to Standards

The Sensus iPERL meter meets the requirements of NSF 61, Annex F/G and 372 and exceeds the most recent revision of AWWA Standard C-715.

Tamper Resistant

The integrated construction of the iPERL water meter prevents removal of the register to obtain free water. The magnetic tamper and low field alarms will both indicate any attempt to tamper with the magnetic field of the iPERL meter.



Dimensions and Net Weights

Meter Size	A	B	C	Spud Ends	NPSM Thread Size	Width	Net Weight
5/8" (DN 15 mm)	7-1/2" (190 mm)	6-1/10" (155 mm)	1-3/4" (44 mm)	5/8" (15 mm)	3/4" (20 mm)	4-1/2" (114 mm)	3.1 lb. (1.4 kg)
5/8" x 3/4" (DN 15mm x 20 mm)	7-1/2" (190 mm)	6-1/10" (155 mm)	1-3/4" (44 mm)	3/4" (20 mm)	1" (25 mm)	4-1/2" (114 mm)	3.1 lb. (1.4 kg)
3/4" Short (DN 20 mm)	7-1/2" (190 mm)	6-1/10" (155 mm)	1-3/4" (44 mm)	3/4" (20 mm)	1" (25 mm)	4-1/2" (114 mm)	3.1 lb. (1.4 kg)
3/4" (DN 20 mm)	9" (229 mm)	6-1/10" (155 mm)	1-3/4" (44 mm)	3/4" (20 mm)	1" (25 mm)	4-1/2" (114 mm)	3.2 lb. (1.5 kg)
1" (DN 25 mm)	10-3/4" (273 mm)	6-1/10" (155 mm)	1-3/4" (44 mm)	1" (25 mm)	1-1/4" (32 mm)	4-1/2" (114 mm)	3.3 lb. (1.6 kg)



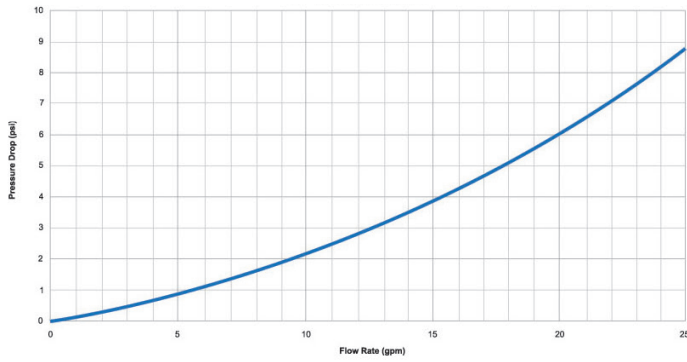
Specifications

Service	Measurement of potable and reclaim water. 0-100% humidity. Fully submersible. IP68 rated.
Temperature	Water operating temperature range of 33 °F (0.55 °C) to 80 °F (26.7 °C) . Ambient air operating temperature -22 °F (-30 °C) to -140 °F (60 °C). Storage air temperature -30 °F (-34.4 °C) to 158F (70 °C).
Starting Flow	5/8" (DN 15 mm) size: 0.03 gpm (0.007 m ³ /h) 3/4" (DN 20 mm) size: 0.03 gpm (0.007 m ³ /h) 1" (DN 25 mm) size: 0.11 gpm (0.025 m ³ /h)
Low Flow Range (±3%)	5/8" (DN 15 mm) size: >0.11 gpm (0.025 m ³ /hr) to <0.18 gpm (0.041 m ³ /hr) 3/4" (DN 20 mm) size: >0.11 gpm (0.025 m ³ /hr) to <0.18 gpm (0.041 m ³ /hr) 1" (DN 25 mm) size: >0.3 gpm (0.068 m ³ /hr) to <0.4 gpm (0.09 m ³ /hr)
Normal Water Operating Flow Range (±1.5%)	5/8" (DN 15 mm) size: 0.18 to 25 gpm (0.04 to 5.7 m ³ /hr) 3/4" (DN 20 mm) size: 0.18 to 35 gpm (0.04 to 8.0 m ³ /hr) 1" (DN 25 mm) size: 0.4 to 55 gpm (0.09 to 12.5 m ³ /hr)
Maximum Operating Pressure	5/8" and 3/4" size: 200 psi (13.8 bar) 1" size: 175 psi (12.1 bar)
Measurement Technology	Solid state electromagnetic flow
Register	Hermetically sealed, 9-digit programmable electronic register, AMR/AMI compatible.
Materials	External housing - Thermal plastic; Flowtube - Polyphenylene sulfide alloy; Electrode - Silver/silver chloride; Register cover - Tempered glass

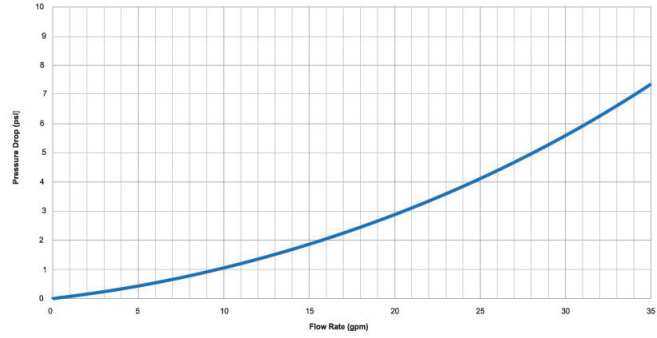


Headloss Curves

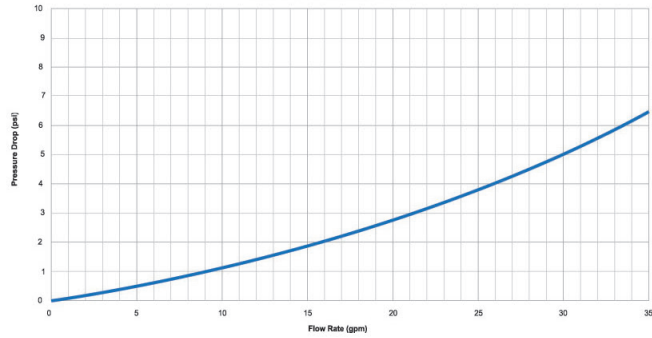
5/8" Headloss Curve



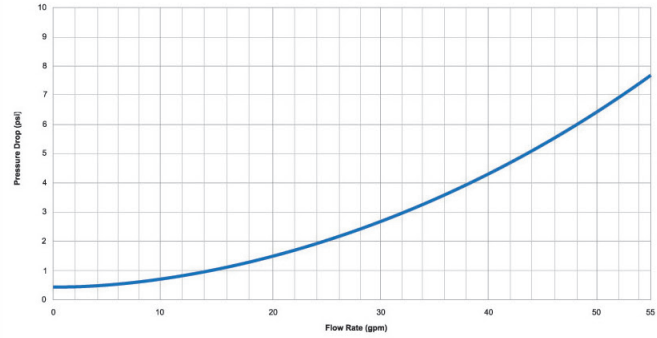
3/4" Headloss Curve



5/8" x 3/4" Headloss Curve



1" Headloss Curve



637 Davis Drive
Morrisville, NC 27560
1-800-638-3748
sensus.com

©2019 Sensus. All products purchased and services performed are subject to Sensus' terms of sale, available at either sensus.com/TC or 1-800-638-3748. Sensus reserves the right to modify these terms and conditions in its own discretion without notice to the customer. *The Sensus logo is a registered trademark of Sensus.*

This document is for informational purposes only, and SENSUS MAKES NO EXPRESS WARRANTIES IN THIS DOCUMENT. FURTHERMORE, THERE ARE NO IMPLIED WARRANTIES, INCLUDING WITHOUT LIMITATION, WARRANTIES AS TO FITNESS FOR A PARTICULAR PURPOSE AND MERCHANTABILITY. ANY USE OF THE PRODUCTS THAT IS NOT SPECIFICALLY PERMITTED HEREIN IS PROHIBITED.